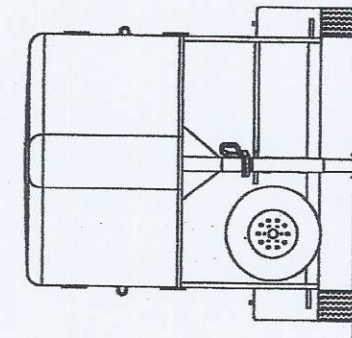
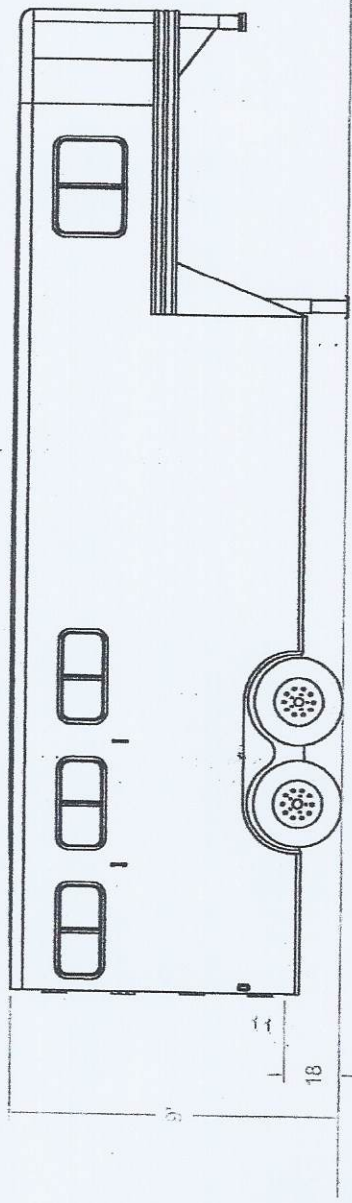


L3HSLGNDR
LAKOTA



PROPRIETARY AND CONFIDENTIAL
THE INFORMATION CONTAINED IN THIS DRAWING
IS THE SOLE PROPERTY OF LAKOTA. ANY
REPRODUCTION IN PART OR IN WHOLE WITHOUT
THE WRITTEN PERMISSION OF LAKOTA IS
STRICTLY PROHIBITED.

MODEL(S): L3HSLGNDR LAKOTA 30° NOSE
TITLE: FLOORPLAN
DATE: 12/3/14
BY: KERM
FILE: 2016 MODEL YEAR
DWG #:
SCALE: N/A
SHEET: 1 OF 1

Rev. **LAKOTA TRAILERS**