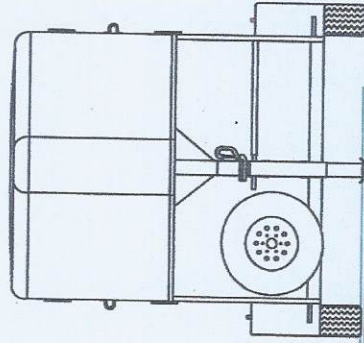
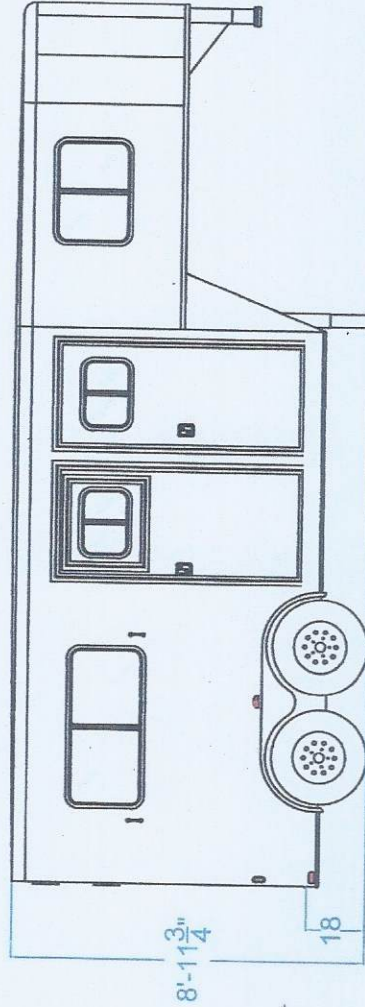


L2STGDR



PROPRIETARY AND CONFIDENTIAL  
 THE INFORMATION CONTAINED IN THIS DRAWING  
 IS THE SOLE PROPERTY OF LAKOTA. ANY  
 REPRODUCTION IN PART OR IN WHOLE WITHOUT  
 THE WRITTEN PERMISSION OF LAKOTA IS  
 STRICTLY PROHIBITED.

MODEL(S): L2STGDR 30° NOSE

TITLE: FLOORPLAN

DATE: 11/22/14

FILE: 2015 MODEL YEAR

DWG #:

SCALE: N/A

SHEET: 1 OF 1

**LAKOTA TRAILERS**