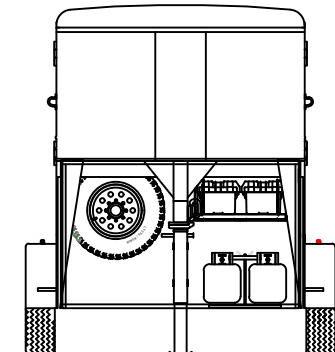
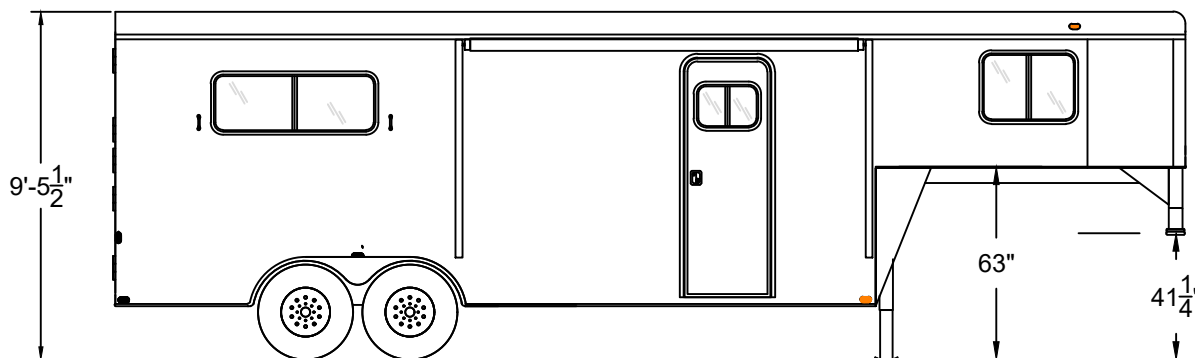


37 COLT
3 HORSE



PROPRIETARY AND CONFIDENTIAL				MODEL:	COLT37	
THE INFORMATION CONTAINED IN THIS DRAWING IS THE SOLE PROPERTY OF LAKOTA TRAILERS. ANY REPRODUCTION IN PART OR IN WHOLE WITHOUT THE WRITTEN PERMISSION OF LAKOTA TRAILERS IS STRICTLY PROHIBITED.				TITLE:		
REV	DESCRIPTION	DATE	***/**/**	DRAWN BY:	TB	DATE: 01/16/2017
				DWG NO.:	*	REV: *
				SCALE:	N.T.S.	
				LAKOTA TRAILERS		SHEET: 1 OF 1