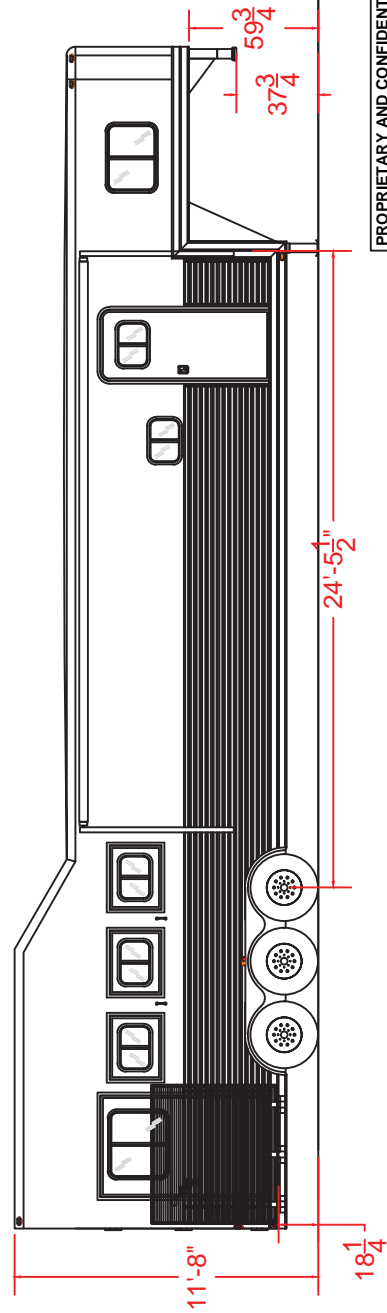
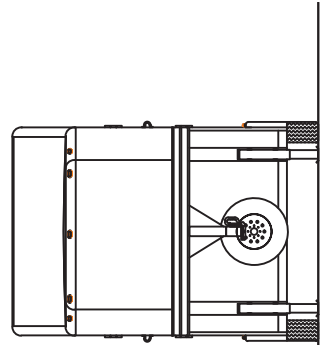


BH8418TCE
 REAR SIDE LOAD
 2019.5 MODEL



PROPRIETARY AND CONFIDENTIAL THE INFORMATION CONTAINED IN THIS DRAWING IS THE SOLE PROPERTY OF LAKOTA. ANY REPRODUCTION IN PART OR IN WHOLE WITHOUT THE WRITTEN PERMISSION OF LAKOTA IS STRICTLY PROHIBITED.	MODEL(S): BH8418TCE BIGHORN RSL
	INTEGRATED
	TITLE: FLOORPLAN
	DATE: 7/25/18
FILE: 2019.5 MODEL YEAR	DWG #:
SCALE: N/A	SHEET: 1 OF 1