

Rancher Express

GOOSENECK

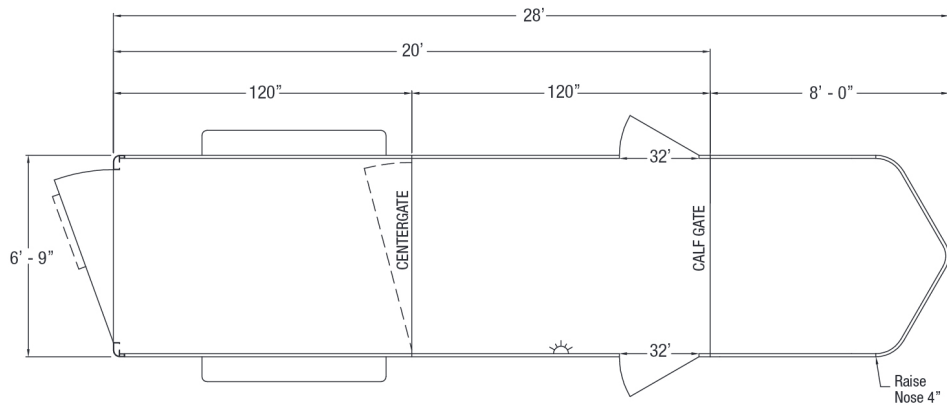


The Rancher Express is the newest addition to our already popular stock trailer line-up. In 16', 20' and 24' lengths the new Express Series is built with the same quality and standards people have come to expect from a Sundowner. Loaded with features such as heavy duty fenders, 4" I-beam cross members on 12" centers, slam latch gates, 2 side access doors and a 4" raised nose. The Express offers the features you want at a price everyone can afford.



STANDARD FEATURES

- 2 5/16" Gooseneck hitch
- 6'9" Wide
- 6'6" Tall
- 16', 20' or 24' Long
- Raised nose 4"
- All aluminum construction
- Interlocking extruded aluminum floor
- Double wall extruded aluminum sides
- 2" Upright wall posts welded on both sides
- 4" Aluminum I-beam floor cross members on 12" centers
- Prepainted aluminum skin
- 2 or 3 Air gaps with Plexiglas tracks
- Heavy duty fenders
- 2 Side access doors w/full height cam latch
- Swinging center gate (2 gates on 24')
- Drop down calf gate
- Rear gate with sliding calf gate
- 1 Interior light inside stock area
- Extra LED clearance and marker lights
- 4 Tail lights
- Rubber torsion axles
- 4 Wheel electric brakes with safety breakaway
- Aluminum wheels with radial tires
- Rear rubber bumper
- Drop leg jack



OPTIONS

- Skin colors: white, black, silver, charcoal, champagne
- Spare tire
- Dome lights
- Loading lights
- Clearance lights
- Plexiglas
- Tackroom
- Side ramp in lieu of one side door (48")
- Slider in center gate
- Bullet nose
- Tapered nose

All dimensions are approximate. Photos may show options. Due to constant product improvements, specifications, component parts, standard and optional equipment are subject to change without notice or obligation. Refer to standard and special features for specifics. See your dealer for warranty details. 2021 © Sundowner Trailers, Inc. (07.27.21)

SUNDOWNER TRAILERS, INC.

9805 OK Highway 48 South • Coleman, Oklahoma 73432-8523
800-438-4294 • sundownertrailer.com