



"Premier Custom Interiors"
 Stephenville, Texas



Dealer: Circle M Trailers
 Sales Person: Alex Rossler
 Customer: Dylan Davis
 Quote Date: 8/11/21
 Trailer Mfg: Platinum
 Trailer VIN: 11785
 Quote Number: 3850975142
 Shortwall Length Feet: **13.9**

qrev031321
 v21.03

WALLS AND CEILING:

Wall Covering: Standard Material (see color sheet)
 Ceiling Covering: Standard Material (see color sheet)
 Roof Style: Standard Roof

CABINETS, DOORS AND WOOD OPTIONS:

Hardwood Type & Color: **Oak/Maple** *See Additional Options*
 Cabinet Door Style: Raised Panel
 Hardwood Window Box Covers: Yes - Standard
 Nose Cabinets: Vardrobe
 Side Nose Cabinets: None
 Pocket Door(s): Total of 1
 Pocket Door Options: 1 - Recessed Mirror in Pocket Door - Bronze
 Kitchen Countertop: Solid Surface with Solid Surface Lip
 Kitchen Backsplash: Solid Surface Standard Height
 Bath Countertop: Solid Surface with Solid Surface Lip
 Bath Backsplash: Solid Surface Standard Height
 Flooring: Vinyl - 88050 Dandelion (special lead time)
 Nose Carpet: Shag - Rice Grain
 Headboard Style: None
 Additional Cabinet Options: 3 - Drawers
 Additional Cabinet Options: Extend Slide Out Floor
 Additional Cabinet Options: Enclosed Nose with 1 - Pocket Door
See Additional Options

APPLIANCES:

Refrigerator: 7.0 LP120V
 Cooking Appliance: Convection Oven - Black w/Built in Power Vent Hood
 HEATING AND COOLING: Recessed 2-Burner Cooktop w/ Cover *See Additional Options*

HEATING AND COOLING:

Air Conditioner: Ducted 15,000 w/Thermostat
 Furnace: Ducted Unit 16,000 BTU - 2 ducts
 Additional H/C Options: None

WATER SYSTEMS:

Water Pump: Standard 3.2 gpm
 Water Heater: 6 Gallon LPG/120V with Electric Start
 Fresh Water Tank: 60 Gallon (Requires 72" Sofa)
 Waste Holding Tank(s): 1 - Gray & 1 - Black (Standard)
 Water Options: 1 - Exterior Water Faucet - Under Nose
 Additional Water Options: 1 - Sewer Hose & Carrier
 Additional Water Options: None

Water Monitor System, City Water Fill and Winterizing Kit: Yes - STANDARD

LPG SYSTEMS:

LPG System: Double (2) 30 lb. Tanks

BATH AND GALLEY FIXTURES:

Vanity: Vanity, Medicine Cabinet with Mirror
 Vanity Light: Wood Box with 4 Indirect Lights
 Vanity Sink & Faucet: See Next Line for Vanity Sink and Faucet Option:
 See Additional Options *See Additional Options*
 Toilet: Porcelain White
 Shower Style & Color: 32" Radius w/Skylight, White
 Shower Door Color: Oil Rubbed Bronze - Opague Glass
 Shower Faucet & Head: See Additional Options *See Additional Options*
 Shower Pan Color: White (32", 34" Radius)
 Bath Roof Vent: Power w/Wall Switch
 Nose Roof Vent: None
 Kitchen Roof Vent: None
 Kitchen Sink & Faucet: See Next Line for Kitchen Sink and Faucet Option:
 See Additional Options *See Additional Options*

KNOBS, MIRRORS AND BATH SETS:

Total Knobs: 30 Total Pulls: 5
 Type of Knobs: See Additional Options
 Bath Set: See Additional Options
 Type of Pulls: See Additional Options *See Additional Options*
 Mirror: NO Full Mirror

FURNITURE & BEDDING:

Seating 1: 2-Bar Stool (Wood) - Standard *See Additional Options*
 Seating 2: ~~NO Furniture~~ *See Additional Options*
 Seating 3: NO Furniture
 Seating 4: NO Furniture
 Seating 5: NO Furniture
 Bedding: Outlaw Flex King Mattress
 Bench Seat - Per Feet: 6
 Bench Cushion(s): Seat Cushion Only - Standard Material
 Additional Bedding: None
 Additional Bedding: None

VAIANCES, BLINDS, PILLOWS:

Valance: Upgrade 6
 Window Blinds/Shades: 6 - Day and Night
 RV Door Window Cover: 1 - Snap Cover (Vinyl)
 Additional Accessories: 2 - Accent Pillow - Standard Material
 Additional Accessories: 4 - Accent Pillow - Standard Material *See Additional Options*
 Additional Accessories: None



"Premier Custom Interiors"
 Stephenville, Texas



Dealer: Circle M Trailers
 Sales Person: Alex Rossler
 Customer: Dylan Davis
 Quote Date: 8/1/21
 Trailer Mfg: Platinum
 Trailer VIN: 14765
 Quote Number: 3850976142

qrev031321
 v21.03

Shortwall Length Feet: 13.9

GENERATOR and JACKS:

Generator: Onan 4.0 Gas (30-amp) w/ 9 Gallon Fuel Tank & Gauge (if available)
Fuel Tank Location: Mid Tack
Generator Location: Roof (Requires Installed Enclosed Box w/ Vented Door/Panel from MFG)
Additional Gen. Option: Custom Fuel Tank
Jacks(s): Dual Leg Hydraulic

ADDITIONAL INTERIOR OPTIONS:

Slideout Option: Finish 1 - w/ Upgrade Front #1
Additional Options: Exterior Light Under Nose
Additional Options: None
Additional Options: None
Additional Options: None
Additional Options: None

MID-TACK AND HALF-TACK:

Mid-Tack & Half Tack Room Center Line Ft: 0
Finish Out: None
Cabinets: None
Mid-Tack Options: None

SAFETY EQUIPMENT:

Alarms: CO, LP, Smoke Detectors & Fire Extinguisher
Additional Safety: Kick-Out Window(s) Required - Installed at Manufacture

ADDITIONAL OPTIONS:

0
 0
 see separate sheet attached

LIGHTING AND ELECTRICAL:

Power Systems: 120V-30amp w/Power Cord - 60amp Charger
Additional Power System: None
See Additional Options
120v Outlets: Standard ~~Power~~ - Throughout Interior GFI Protected
Additional 120v Options: 1 - Exterior 120v Outlet & 2 - Additional Interior 120v Outlet
12v System: 2 - Two Batteries with Aluminum Box (8' to 16')
Ceiling Lights: In-Direct LED on Switches - Brushed Nickel
Spot Light: 2 - Nose - Silver
Spot Light: 2 - Above Sofa - Silver
Spot Light: None
Wall Lamps: None
Wall Lamps: None
Inside 12v Accessories: 2 - 12v USB Cell Phone Outlets
Inside 12v Accessories: 3 - Courtesy Lights
Inside 12v Accessories: 2 - Closet Lights - Automatic
Inside 12v Accessories: None
Exterior 12v Accessories: 1 - Upgraded Outlaw Grab Handle with Blue Light
Exterior 12v Accessories: 1 - Porch Light (LED)
Exterior 12v Accessories: None
Exterior 12v Accessories: None

ELECTRONICS:

TV Antenna: Connect 2.0 (WiFi, 4G, OTA, AM/FM)
Exterior Hookup: None
Stereo: AM/FM/CD/DVD/MP3/App/Sat Ready (select speakers)
Inside Stereo Speakers: 2 Inside Speakers
Exterior Stereo Speakers: 2 Exterior Speakers
Satellite Radio Options: None
TV Cabinet: TV Cabinet for LED TV
TV Size: 32" LED Flat Screen
Component: Adjustable Locking Bar
Additional TV Cabinet: TV Cabinet for LED TV
Additional TV Size: 32" LED Flat Screen
Additional Component: None
Automatic Satellite System: None
Miscellaneous Equipment: None

See Additional Options

AWNINGS:

Awning: Altitude Patio Power Awning w/Flexguard, & LED Lights 17 FT
Additional Awning: Alpine Slide-Out Awning w/Flexguard - Size TBD
Additional Awning: None
Awning Option: None

All Customer Furnished Parts Must Arrive Before Production Begins
 and any Customer Furnished Parts will not have Outlaw Warranty

ADDITIONAL OPTIONS

Dealer: Circle M Trailers

Customer: Davis

Trailer VIN: 11765

Date: 8/11/2021

CABINETS, DOORS AND WOOD OPTIONS:

All Wood to be Knotty Alder Outlaw Gray with Dark Glaze

2nd Step into Nose

2 Hat Racks Forkstyle Hardwood

Raised Bar Only

Tall Cabinet at Drop Wall to Have 6 Adjustable Shelves with Wood Lip Behind 4 Doors

APPLIANCES:

Cooktop Recessed Cover to be Natural Color Butcher Block Wood

BATH AND GALLEY FIXTURES:

Shower Faucet Set to be Black (see spec sheets per customer request)

Vanity Sink & Faucet - Quartz Midnite UNDERMOUNT w/Black Faucet & Soap Dispenser (see spec sheets)

Kitchen Sink & Faucet - Quartz Midnite UNDERMOUNT w/Black Faucet & Soap Dispenser (see spec sheets)

Kitchen Sink Cover to be Natural Color Butcher Block Wood

KNOBS, MIRRORS AND BATH SETS:

Bath Set to be Black (see spec sheets) SHIP LOOSE FOR DEALER INSTALL per customer locations

Knobs & Pulls to be Black Iron Twist (see spec sheet)

FURNITURE BEDDING:

Bar Stools to be Wood Saddle Style

Provide Removable Table with 2 Legs, Table Top to be Natural Color Butcher Block Wood (see drawing for size & location)

VALANCES, BLINDS AND PILLOWS:

2 each Bolster Style Pillows for Flat Bench Seat & 4 each 24" Square Pillows (see color sheet for details)

LIGHTING AND ELECTRICAL

All Electrical Outlets (120v/12v) and Light Switches to be BLACK color

ELECTRONICS

TV's to be Smart TV's



Trailer #: _____

11765

Customer: Davis

Dealer: Circle M

WOOD TYPE: Knotty Alder

WALL COVERING: Slither Snowflake

Black Solitaire in BATH & BED & SLIDE OUT

WOOD COLOR: Outlaw Grey w/ Dark Glaze

CEILING COVERING: Angeles Platinum in LIVING

Smooth Rectangular Seat Cushion 8" Thick Front to Back & Wall to Wall

FURNITURE: Bench Seat

COVERING: (Customer Provided Print Fabric) NO BACK CUSHION

FURNITURE: Bar Stools

COVERING: Saddle Style Wood

FURNITURE: _____

COVERING: _____

WINDOW COVER FOR RV DOOR: _____

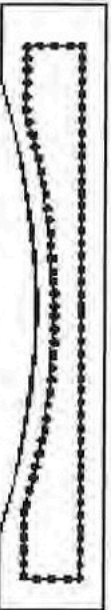
Snap Cover Slither Snowflake

DAY/NIGHT SHADES: DAY: Grey (black frame)

NIGHT: Black (black frame)

OTHER SHADES (if applicable) daytime, mini, blackout etc.: _____

VALANCES: Single Arch Puffed with Customer Provided Black Cowhide with Hammered Black Nail Heads



PILLOW(S): 2 Rounded Bolsters for Bench Cushion (customer provided print fabric)

4 Square 24" Pillows (customer provided print fabric on 1 side & black fabric on other side)

KITCHEN COUNTERTOP: Strato Cloud Z001 Solid Surface with Solid Surface Lip

KITCHEN BACKSPLASH: Strato Cloud Z001 Solide Surface 4" Standard Height

BATH COUNTERTOP: Strato Cloud Z001 Solide Surface with Solid Surface Lip

BATH BACKSPLASH: Strato Cloud Z001 Solid Surface 4" Standard Height

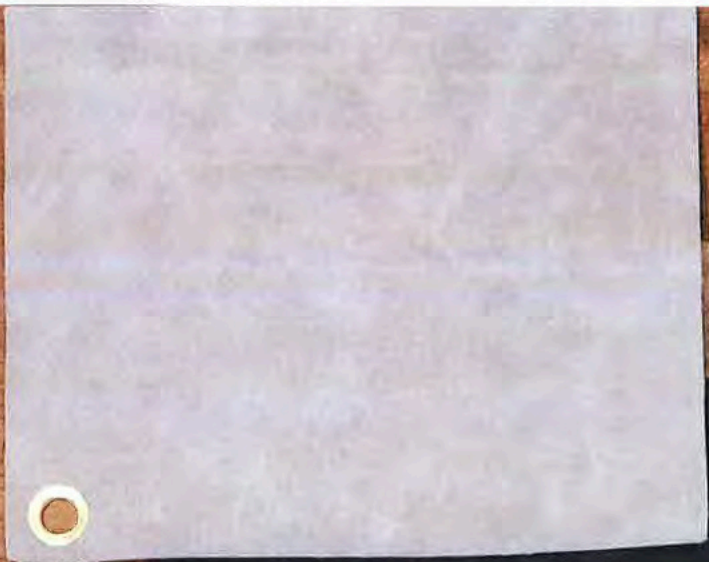
NOSE CARPET: Rice Grain

FLOORING: 88050 Dandelion

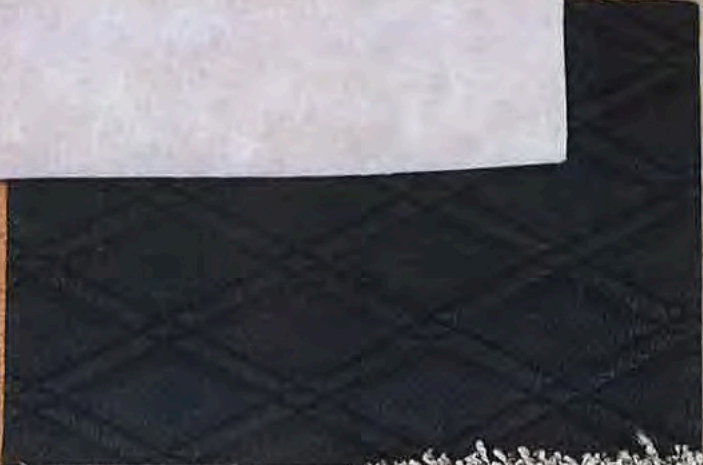
Special Instructions/Comments:

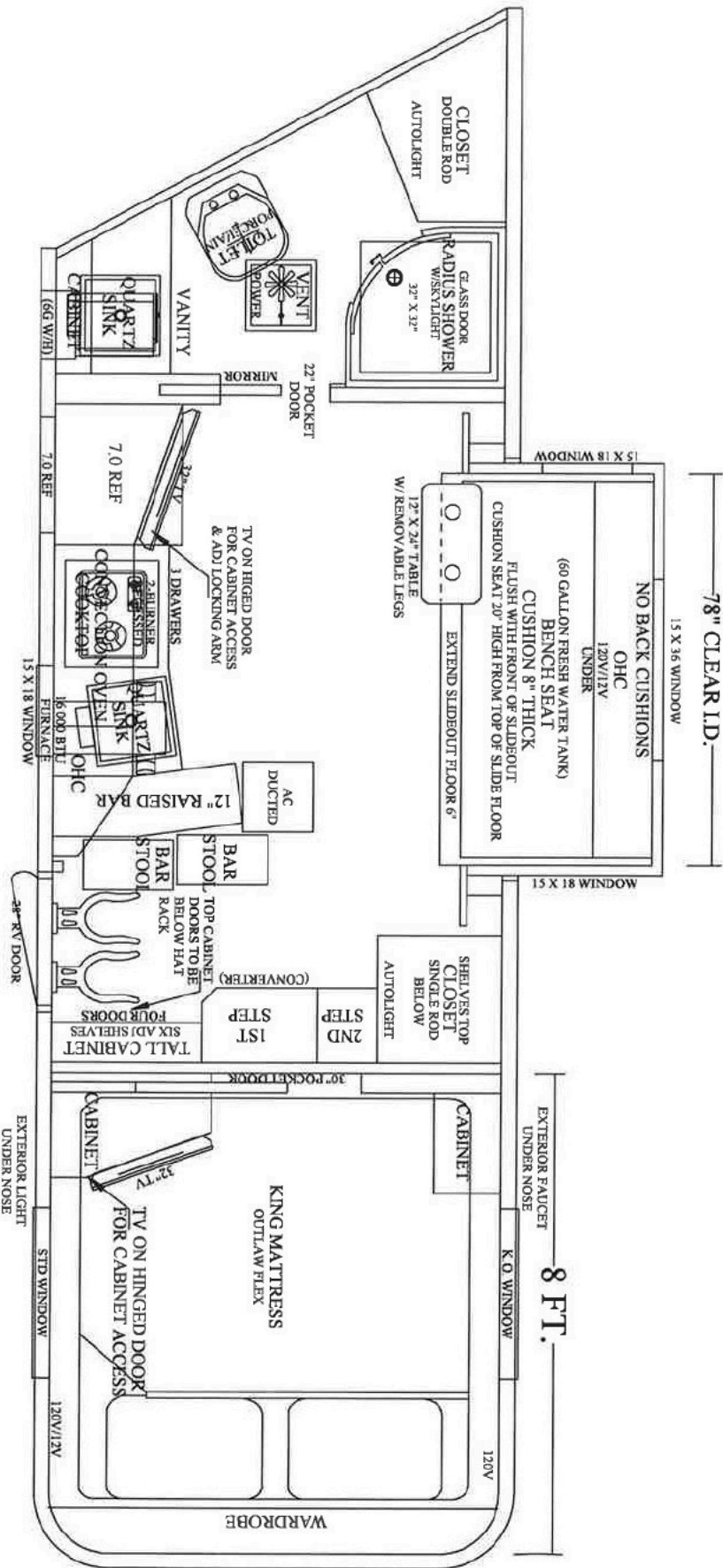
OUTLAW DÉCOR:

Slidout Front Upgrade #1 with Puffed Customer Provided Black Cowhide & Hammered Black Nail Heads



88050 13440000





SHORT WALL	
WIDTH	13 FT. 10 IN.
HEIGHT	8 FT. 6 IN.

OUTLAW CONVERSIONS			
1000 AIRPORT ROAD, STEPHENVILLE, TX 76401			
TRADE	MANUFACTURE	VIN #	
CIRCLE M	PLATINUM	041621-1	
CUSTOMER	DATE	DRAWN BY	REVNO
DAVIS	09-JUL-21	JC	09

PLATINUM MANUFACTURING

PLATINUMMFG@AOL.COM
STOCK/ COMBO TRAILER ORDER



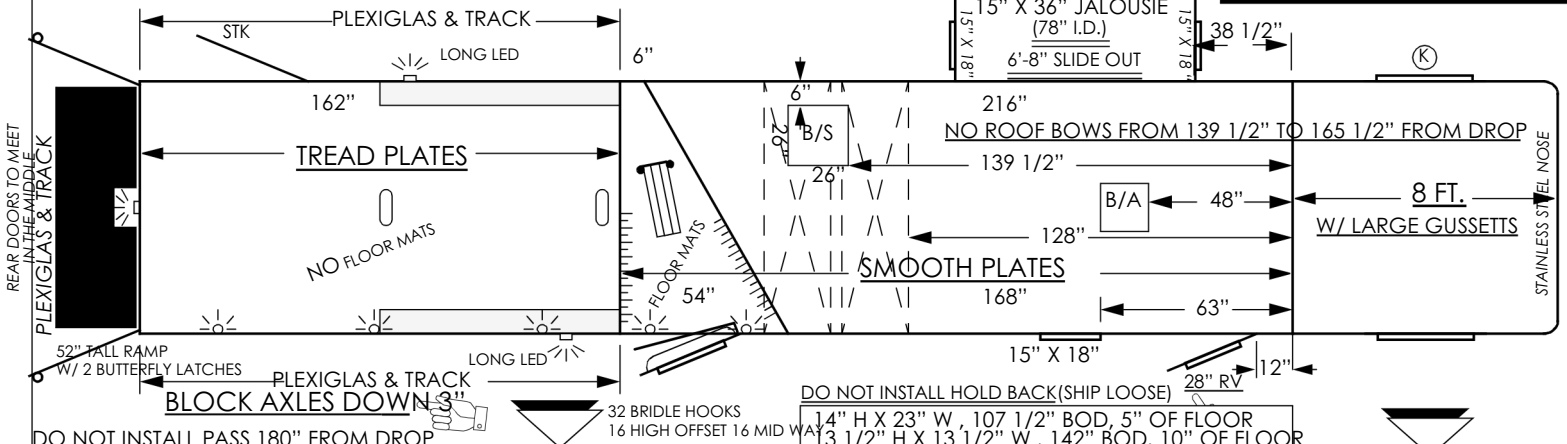
CUSTOMER: CIRCLE M/ DAVIS

REV. 05-10-21 SERIAL NO: 11765

E.C.D.: _____ DATE: 04-30-21

C-SPORT - DO NOT INSULATE, LINE & RUBBER SIDE WALLS

P.P. WHITE EXTERIOR FINISH



MODEL: **C-SPORT** WIDTH: **8'-0"** LENGTH: **32'-0"** HEIGHT: **7'-6"**

- 1 2 5/16" Adj. Coupler: STD. Jack: DUAL W/ SINGLE SPEED Drop HGT: 48"
- 2 Axles Qty: 2-102" (BLOCK 3") type: RUBBER TORSION Capacity: 8,000 (BLOCK 3") Hub: 8-BOLT
- 3 Brakes: ELECTRIC Mntg. Brkt.: 75 3/4" Overhang: 121 1/2"
- 4 Tires: ST235/85R16G 14-PLY Wheels: (5) SILVER MAG- ALUM. WHEELS Spare: YES
- 5 GN Sides: STRAIGHT W/ WINDOW GN Floor: SMOOTH ALUM. PLATE
- 6 Sides: SLATTED W/ SMOOTH ALUM. AT TOP Floor: SMOOTH ALUM. PL. FRONT 14FT & TREAD @ REAR

		STANDARD EQUIPMENT			
9	BULKHEAD WALL	X	PERMANENT	FLOOR MATS HORSE COMPT.	X
10	SLATTED FULL WIDTH REAR DOOR	X	DOUBLE GATES W/ DOUBLE ANTI-R	RUBBER BULKHEAD WALL	X
11	DRESSING ROOM DOOR	X	28" RV, C.S., 12" FROM DROP	RUBBER ON WHEEL WELLS	X
12	SLATTED SIDE DOOR	1	S.S.	CAR PET	X
13	DROP PARTITION	NO	NONE	COVERED SADDLE RACKS, 1 PER	4
14	CENTER PARTITION	NO	D-E-LET-ED	BRIDLE HOOKS	32
15	STD. HALF DIVIDERS	NO	NONE	DOME LIGHTS	5
16	INSIDE TIE RINGS, 2 PER	4	FOUR	D.O.T TAPE	X
16	OUTSIDE TIE RINGS, 2 PER	4	2 EACH SIDE	TAPE COLORS (STOCK/ COMBO)	NO
	BREAST BAR (FIRST HORSE)	NO	NONE		

- 17 **OPTIONS:**
- 18 (3) OUTSIDE LONG LED LOADING LIGHTS, 1 @ REAR, 1 S.S., 1 C.S. 19 20(1) 19" X 34" KICKOUT WINDOW ILO STD. WINDOW, IN GOOSENECK, S.S. 216'-8" SLIDE OUT, S.S., (78" I.D.), 38 1/2" FROM BOX FLOOR
- 21 15" X 18" WINDOW W/SLIDER, EACH SIDE OF S/O 39" FROM BOX FLOOR 24 15" X 18" WINDOW W/ SLIDER, C.S., 63" FROM DROP, 43" OFF FLOOR

- (2) BRACES FOR ROOF AIR/ SKYLIGHT
- (2) 2-WAY ROOF VENTS
- 25 SPRING LOADED REAR RAMP BEHIND FULL HEIGHT REAR DOORS (52" TALL & BUTTERFLY LATCHES)
- 26 SLATTED STOCK DOOR, S.S. BEHIND AXLES (2) FOLD OUT STEPS @ LQ DOOR & M/T DOOR
- 27 PLEXIGLAS & TRACK ON S.S. WALL, C.S. WALL IN H/C & REAR GATES (4) SWING OUT BLANKET BARS ON M/T DOOR
- 28 PERMANENT STRAIGHT BULKHEAD WALL, 222" FROM DROP & M/T DOOR C.S. FULL WIDTH BUTT CHAIN @ REAR
- 29 6 FT. HAYRACK W/ LID, PLATFORM & LADDER ON S.S REAR GATE (1) BRUSH TRAY ON M/T DOOR
- 30 GENERATOR BOX W/ LOUVERS ON ROOF OF TRAILER BEHIND HAYRACK W/ LID, C.S.
- 31 PROPANE BOTTLE "BRACKETS" UNDER NECK @ BOTTOM OF DROP, (14" CENTERS)
- 32 SPACE CROSSMEMBERS FOR TWO 24" WIDE HOLDING TANKS, 128" FROM DROP

Coupler:	Subframe:		
Floor:	GN Floor:	Slide Out Notch Out:	
Side C.S.:	Side S.S.:	Door Notch Out:	
Top Rail Length:		Nose:	B/H Wall:
Partition(s)/Divider(s):			
Gate(s)/Door(s):			
VIN:	GVWR:	SHIP WT.:	DATE:

8 7 6 5 4 3 2 1 0



GOOSENECK TRAILER HORSE/STOCK COMBO

SERIAL # _____

DATE 4/19/21

DEALER CIRCLE M SALESMAN ALGX

CUSTOMER DYLAN DAVIS

ADDRESS DYLAN DAVIS 325 @ YAHOO.COM

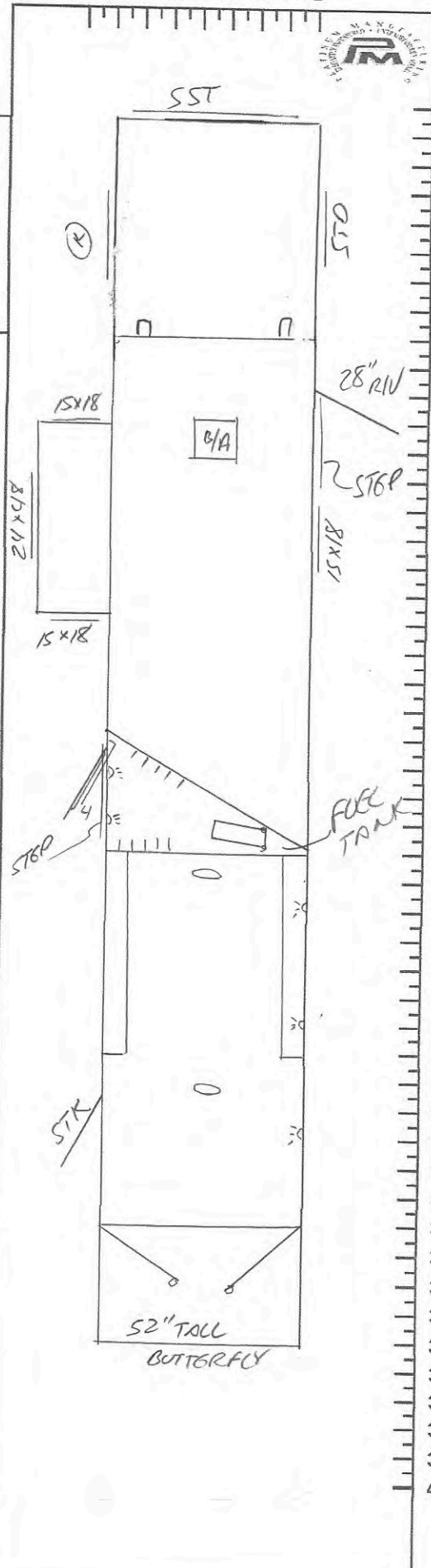
TEL/FAX 325-514-4545

MODEL XG 722CS

WIDTH 8 LENGTH 31 HEIGHT 7'0"

OPTION #	DESCRIPTION
----------	-------------

SEE SEPARATE OPTIONS PAGE



8
7
6
5
4
3
2
1
0

STD

8

7

6

5

4

3

2

1

0

1

2

3

4

5

6

7

8

9

10

11

12

13

14

15

16

17

18

19

20

21

22

23

24

25

26

27

28

29

30

31

32

33

34

35

36

37

38

39

40

