

PLATINUM MANUFACTURING

PLATINUMMFG@AOL.COM

HORSE TRAILER PRODUCTION ORDER



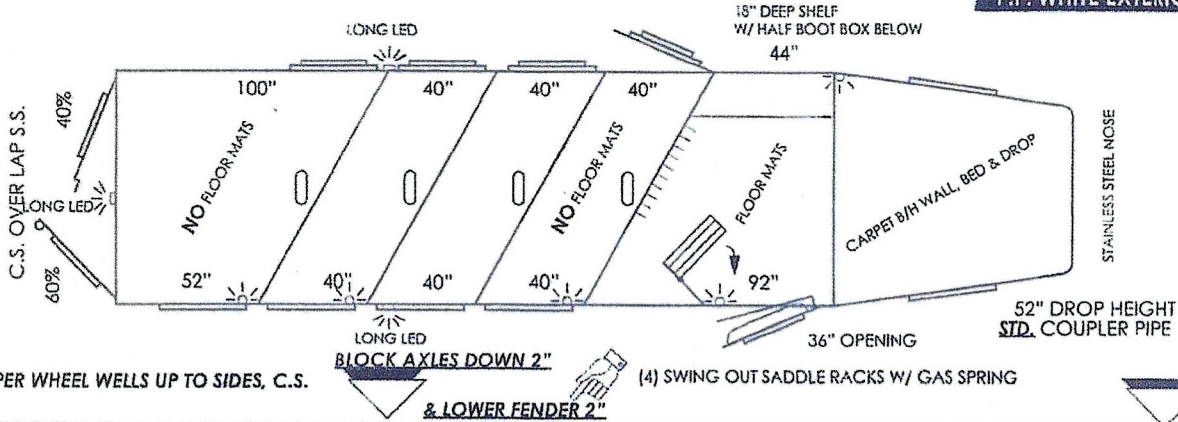
CUSTOMER: _____

REV. 09-15-20 SERIAL NO: 11032

DATE: 06-30-20

ALL RUNNING LIGHT ARE 1" ROUND

P.P. WHITE EXTERIOR FINISH



MODEL: 4-HORSE	WIDTH: 7'-6"	LENGTH: 22'-0"	HEIGHT: 7'-6"
1 2 5/16" Adj. Coupler: STD.	Jack: STD.	Drop HGT: 52"	
2 Axles Qty: 2-102" (BLOCK 2")	Type: RUBBER TORSION	Capacity: 7,000# (BLOCK 2")	Hub: 8-BOLT
3 Brakes: ELECTRIC	Mntg. Brkt.: 80"	Overhang: 80"	
4 Tires: ST235/85R16E 10-PLY	Wheels: (5) BLACK MAG- ALUM. WHEELS	Spare: YES	
5 GN Sides: TAPER NOSE TO 5'-6" W/ WINDOW	GN Floor: STD		
6 Sides: SLATTED W/ SMOOTH ALUM. AT TOP	Floor: SMOOTH ALUM. PLATE		

STANDARD EQUIPMENT

7 BULKHEAD WALL	X	PERMANENT	FLOOR MATS HORSE COMPT.	X	D/R FLOOR ONLY
8 REAR STORAGE	NO	DELETED	RUBBER RUMP AND HEAD WALL	X	
9 DOUBLE REAR DOORS	X	40/60 W/ WIN. & SINGLE ANTI-R	RUBBER BULKHEAD WALL (BOTHI)	X	
10 DRESSING ROOM DOOR	X	W/ WINDOW, C.S., 7" FROM DROP	RUBBER ON WHEEL WELLS	X	
11 FEED DOORS (DROP DOWN)	X		CARPET	X	B/H WALL, BED & DROP
12 FRONT WALK-THRU DOOR	X	W/ DROP DOWN	COVERED SADDLE RACKS, 1 PER	4	SWING OUT W/ GAS SPRING IN D/R
13 FEED BAGS	X		BRIDLE HOOKS	10	B/H WALL IN D/R
14 STD. HALF DIVIDERS	3		PAIR OF BRUSH TRAYS	X	D/R DOOR
15 INSIDE TIE RINGS, 2 PER	8	EIGHT	BLANKET BAR	4	SWING OUT ON D/R DOOR
16 OUTSIDE TIE RINGS, 2 PER	8	4 EACH SIDE	DOME LIGHTS	5	FIVE
17 TWO-WAY ROOF VENTS	X	CENTER LINE OF ROOF	PADDED REAR HEADER	X	
18 BUTT BAR (LAST HORSE)	NO	DELETED	D.O.T TAPE	X	
19 BREAST BAR (FIRST HORSE)	X		TAPE COLORS	X	FLARE #1

- 20 OPTIONS: 1" ROUND RUNNING LIGHTS (ALL RUNNING LIGHTS)
- 21 (3) OUTSIDE LONG LED LOADING LIGHTS, 1 @ REAR & 1 C.S., 1 S.S.
- 22 INSULATE & LINE S.S. WALL @ REAR IN HORSE COMPT. & RUBBER (NO REAR TACK)
- 23 (4) DROP DOWN WINDOW BARS FOR FEED DOOR @ HEAD WALL
- 24
- 25 CARPETED BENCH SEAT (HALF) W/ SINGLE LID & LOUVERS, 18" DEEP X 21" HEIGHT, S.S. WALL IN D/R
- 26
- 27 18" DEEP X 48" WIDE SHELF, S.S. WALL IN D/R
- 28
- 29 STAINLESS STEEL ILO ALUM. ON GN NOSE
- 30
- 31
- 32
- 33

Coupler: SEE PRINT	Subframe: 1040021 >>> (BLOCK AXLES DOWN 2")	FENDERS S.S. - 1120011
Floor: 1161264	GN Floor: SEE PRINT	FENDERS C.S. - 1120011
Side C.S.: 11K3939	Side S.S.: 11K3938	GN Side C.S.: SEE PRINT
Top Rail Length: 28'-9"	Nose: SEE PRINT	GN Side S.S.: SEE PRINT
Divider(s): (3) 1196008		B/H Wall: SEE PRINT

Door(s): 1172025, (3) 1172000, 1173424, 1173394 & 1172287

VIN: 5HMXG2226M1011032 GVWR: 17317 SHIP WT.: 5900 DATE: 09-18-20