

PLATINUM MANUFACTURING

PLATINUMMFG@AOL.COM

BUMPER PULL HORSE TRAILER ORDER



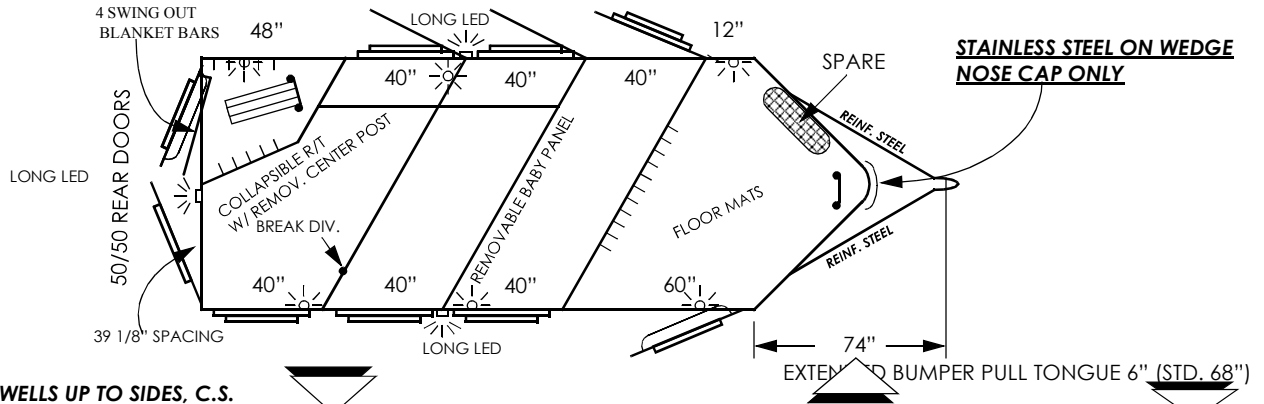
CUSTOMER: **RIDGE MOTOR/**

SERIAL NO: **10228** 19 MODEL

E.C.D.: _____ DATE: **01-14-19**

4" DEEP MANGER PAN ONLY NOT STD. 6"

P.P. WHITE EXTERIOR FINISH



STD.- TAPER WHEEL WELLS UP TO SIDES, C.S.

MODEL: **3-HORSE, B.P.** WIDTH: **8'-0"** LENGTH: **15'-0"** HEIGHT: **7'-6"**

1	2 5/16" B.D. Coupler: STD. (EXTEND 6")	Jack: STD.	
2	Axles Qty: 2-102"	Type: RUBBER TORSION	Capacity: 5200# Hub: 8-BOLT
3	Brakes: ELECTRIC	Mntg. Brkt.: 80"	Overhang: 68"
4	Tires: 235/85R16E 10-PLY	Wheels: BLACK MAG- ALUM. WHELLS	Spare: YES
5	Nose: WEDGE NOSE		
6	Sides: SLATTED W/ SMOOTH ALUM. AT TOP	Floor: SMOOTH ALUM. PLATE W/ STEEL REINF. B.S.	

STANDARD EQUIPMENT

		PERMANENT	FLOOR MATS HORSE COMPT.	X	D/R FLOOR
7	BULKHEAD WALL	X	RUBBER RUMP AND HEAD WALL	X	
8	REAR STORAGE	X	RUBBER BULKHEAD WALL (BOTH)	X	
9	DOUBLE REAR DOORS	X	RUBBER ON WHEEL WELLS	X	
10	DRESSING ROOM DOOR	X	CARPET	X	ALL WALLS IN R/T & B/H WALL IN D/R
11	FEED DOORS (DROP DOWN)	X	COVERED SADDLE RACKS, 1 PER	3	MOVABLE REAR TO FRONT
12	FRONT WALK-THRU DOOR	X	BRIDLE HOOKS	22	10 R/T & 12 B/H WALL IN D/R
13	FEED BAGS	1	PAIR OF BRUSH TRAYS	X	1 R/T DOOR, 1 D/R DOOR
14	STD. HALF DIVIDERS	2	BLANKET BAR	4	SWING OUT @ R/T DOOR
15	INSIDE TIE RINGS, 2 PER	6	DOME LIGHTS	6	SIX
16	OUTSIDE TIE RINGS, 2 PER	6	PADDED REAR HEADER	X	
17	TWO-WAY ROOF VENTS	X	D.O.T. TAPE	X	
18	BUTT BAR (LAST HORSE)	X	TAPE COLORS	X	# 9 (STORM)
19	BREAST BAR (FIRST HORSE)	X			

20	OPTIONS:
21	(3) OUTSIDE LONG LED LOADING LIGHTS, 1 @ REAR, 1 C.S., 1 S.S.
22	
23	
24	
25	(3) DROP DOWN FEED DOORS ON RUMP WALL ILO STD. WINDOWS
26	(3) DROP DOWN WINDOW BARS FOR FEED DOOR @ HEAD WALL
27	
28	
29	STAINLESS STEEL ILO ALUM. ON WEDGE NOSE CAP ONLY
30	FOLD UP STEP @ D/R DOOR
31	6 FT. HAYRACK W/ LADDER ON R/T DOOR
32	18" DEEP FEED MANGER ON 2ND & 3RD STALLS, W/ 2 ACCESS DOORS
33	RE ORD. 9277 W/ C.O.

Coupler: 1010008 -65"	Subframe: 1040022 >>> 5200# CAP.	Top Rail Length: 15'-0"
Floor: 1160781		Door Notch Out: C.S. - 2160730 - 3"
Side C.S.: 11K1782	Side S.S.: 11K2223	Wedge C.S.: SEE PRINT Wedge S.S.: SEE PRINT
		B/H Wall:

Divider(s): **(2) 1196001 break last div. & 1196226 AND 1070013**
 Door(s): **1172025, 1172026, (2) 1172000, (2) 1172001, (3) 1172016, 117039 1172027 & 1172028**

FENDERS S.S. - 1120006
 FENDERS C.S. - 1120013

VIN: **5HMXB1525K1010228 2019 MODEL GVWR: 11795 SHIP WT.: 4575 DATE: 02-27-19**