

DRAWING MAY REFLECT OPTIONAL UPGRADES

SOUTHERN COMFORT SERIES

DRAWING: 1017C-130 10' -6"SW

QUOTE #: _____



DEALER: _____

CUSTOMER: _____

Ⓐ WATER HEATER BRACE: 13" SQ. (6" FROM FLOOR)

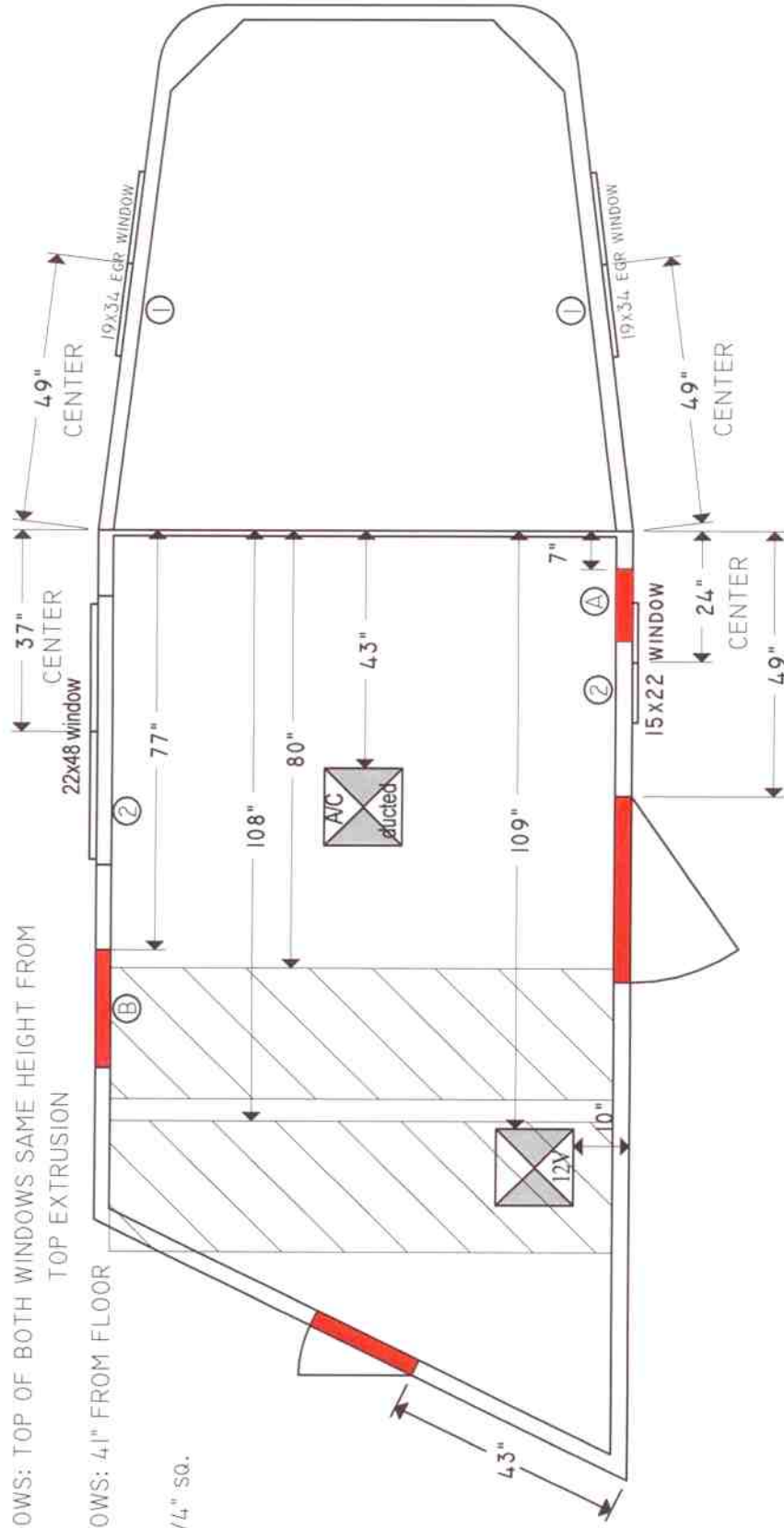
Ⓑ REFER BRACE: 13-3/4" HEIGHT X 21-3/4" WIDE (14" FROM FLOOR)

① GN WINDOWS: TOP OF BOTH WINDOWS SAME HEIGHT FROM TOP EXTRUSION

② LQ WINDOWS: 41" FROM FLOOR



14-1/4" SQ.



*** DRAWING MAY REFLECT OPTIONAL UPGRADES ***

SOUTHERN COMFORT SERIES

DRAWING: 1017C-130 10'-6"SW

QUOTE #:

COMPASS CONVERSIONS
1663 INDUSTRIAL BLVD
TEMPLE, TEXAS 76788
354-774-9949

DEALER:

CUSTOMER: